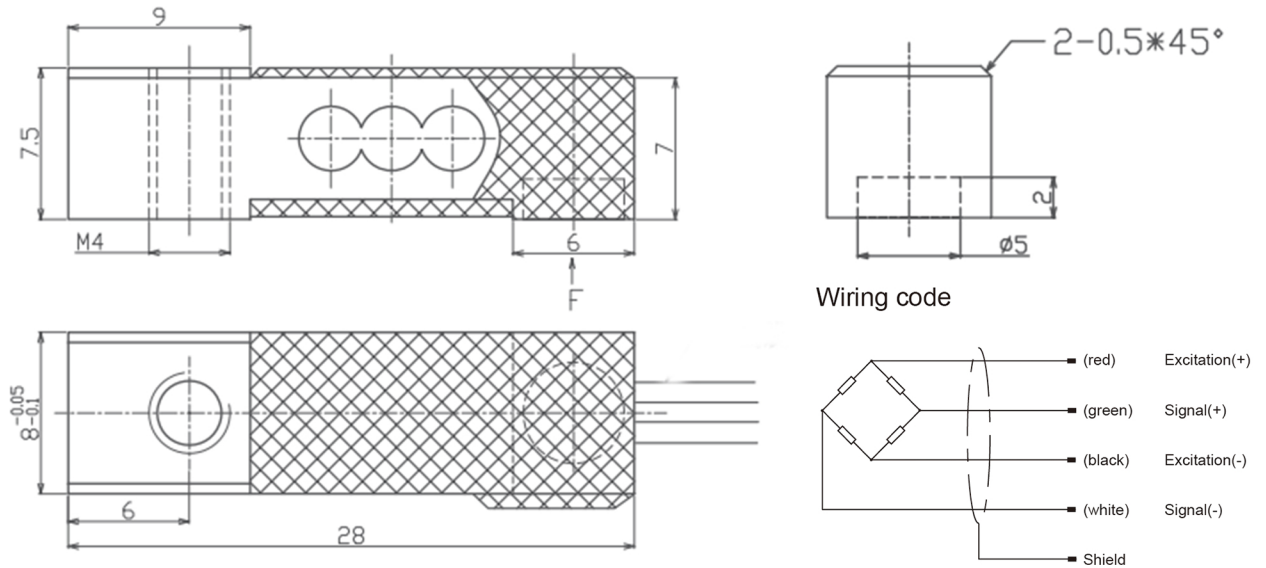


2808 Load Cell

- Maximum capacity (E_{max})(kg): 10
- Be suitable for the fields of Infusion pump, Injection pump and other medical facility.



Dimensions (in mm)



Specifications

Rated Load	kg	10
Rated Output	mV/V	1.2±0.1
Zero Balance	%R.O.	±1
Comprehensive Error	%R.O.	±0.05
Recommended excitation voltage	VDC	10 /15(max)
Input impedance	Ω	1000±10
Output impedance	Ω	1000±5
Insulation resistance	MΩ	≥5000 (50VDC)
Safe overload	%R.C.	150
Ultimate overload	%R.C.	200
Material		Aluminum
Degree of protection		IP65
The length of the cable	m	1.5