

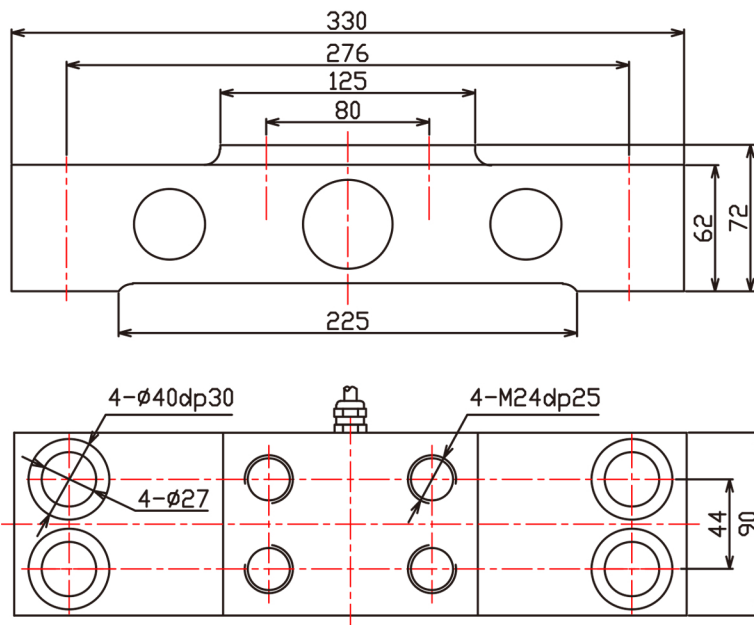
607A-30t Load Cell

607A-30t Load Cell

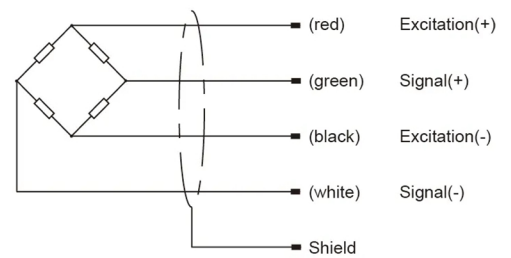


- Maximum capacity (E_{max}) (t):
30

Dimensions(mm)



Wiring code



Specifications

Rated Load	t	30
Rated Output	mV/V	1.0
Zero Balance	%R.O.	±2
Comprehensive Error	%R.O.	±0.3
Non repeatability	%R.O.	±0.1
Recommend edexcitation voltage	VDC	5-15
Input impedance	Ω	760±10
Output impedance	Ω	700±5
Output impedance	MΩ	≥3000 (50VDC)
Safe overload	%R.C.	150
Ultimate overload	%R.C.	200
Material		Alloy Steel
Degree of protection		IP65
The length of the cable	m	2