

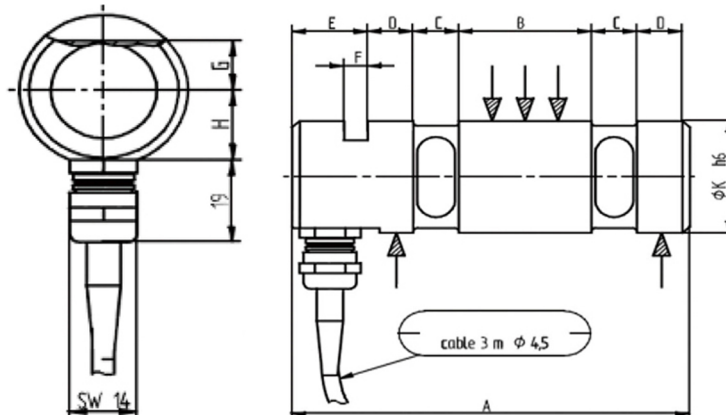
# 616 Load Pins

## Load Cell

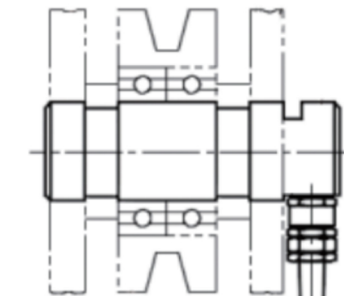
- Maximum capacity (E<sub>max</sub>) (t):  
2, 5, 10, 20, 40
- Be used in rope, shackles, bearing blocks and other special scales.



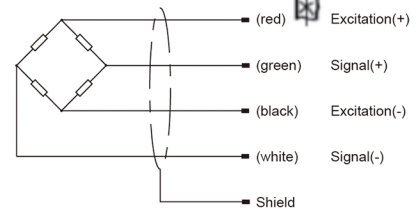
### Dimensions(mm)



测量范围 (t) Measuring range	A	B	C	D	E	F	G	H	ØK
2/5	105	35	12	12	20	6.3	11.5	16	35
10	152	48	18	18	30	10.5	20	22.5	50
20	190	65	25	20	32	10.5	22.5	28.5	65
40	256	89	28	35	36	12.5	28	25	85



Wiring code



### Specifications

Rated Load	t	2, 5, 10, 20, 40
Rated Output	mV/V	1.5
Zero Balance	%R.O.	±2
Comprehensive Error	%R.O.	±0.5
Creep after 30 minutes	%R.O.	±0.2
Recommended excitation voltage	VDC	5-12/15(max)
Input impedance	Ω	770±10
Output impedance	Ω	700±5
Insulation resistance	MΩ	≥5000 (50VDC)
Safe overload	%R.C.	150
Ultimate overload	%R.C.	300
Material		Alloy Steel or Stainless Steel
Degree of protection		IP66/IP68
The length of the cable	m	6