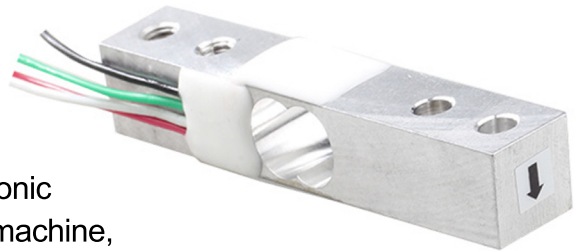


8013 Load Cell

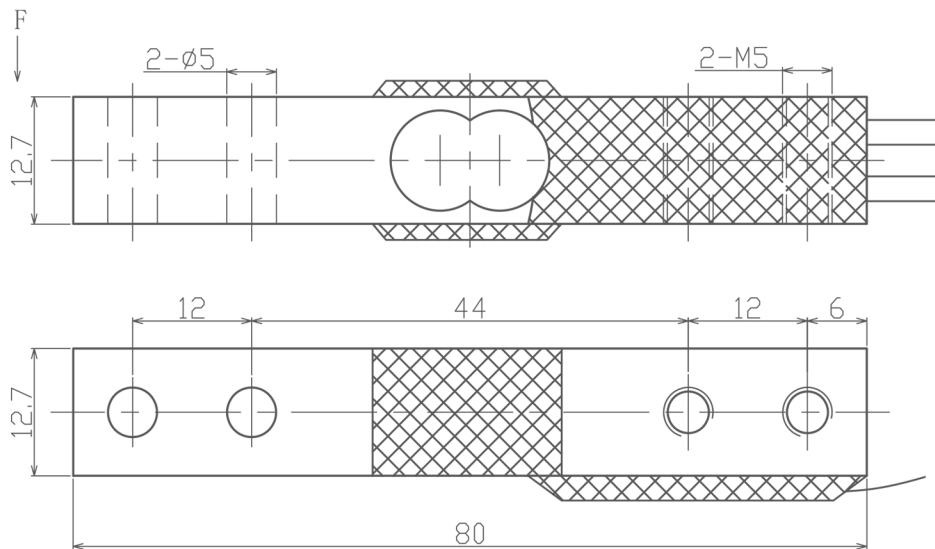
Single Point Load Cell

- Maximum capacity (E_{max}) (kg):
0.2, 0.3, 0.6, 1, 1.5, 3

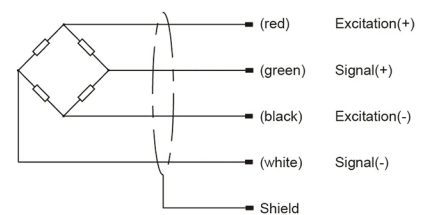
- Be suitable for the fields of Kitchen Scale, Electronic Scale, Counting scales, Packaging Scales, Filing machine, Knitting machine, Industrial process control, Small size and Low profile platform scales, which has huge important on weighing and control.



Dimensions(mm)



Wiring code



Specifications

Rated Load	kg	0.5, 1, 2, 3, 5
Rated Output	mV/V	1.1
Zero Balance	%R.O.	±1
Comprehensive Error	%R.O.	±0.05
Recommended excitation voltage	VDC	10 / 15(max)
Input impedance	Ω	1000±10
Output impedance	Ω	1000±5
Insulation resistance	MΩ	≥5000 (50VDC)
Safe overload	%R.C.	150
Ultimate overload	%R.C.	200
Material		Aluminum
Degree of protection		IP66
The length of the cable	m	0.4
Maximum platform size	mm	100*100