

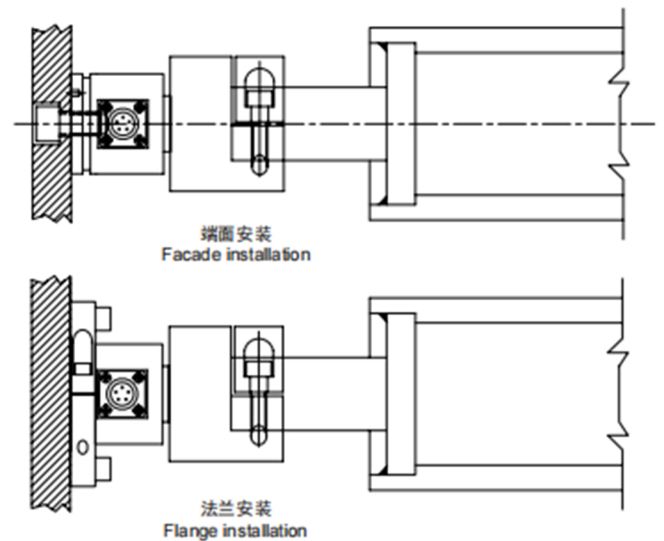
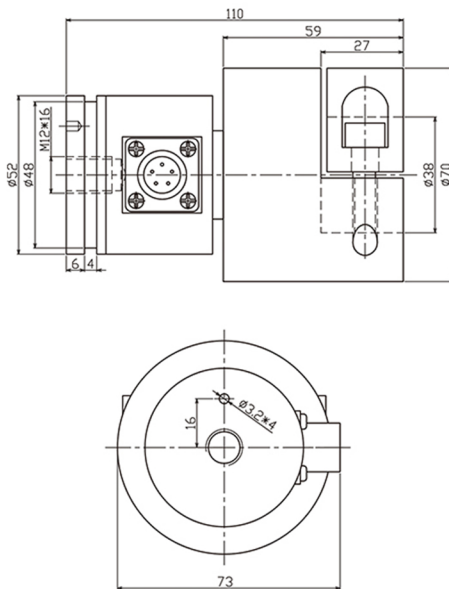
# CLT

## Tension Sensor

- Maximum capacity (E<sub>max</sub>)(kg):  
10, 25, 50, 75, 150, 250
- Be suitable for Papermaking, Chemical and other industries.



### Dimensions (in mm)



### Specifications

Rated Load	kg	10, 25, 50, 75, 150, 250
Rated Output	mV/V	1±0.1%
Zero Balance	%R.O.	±1
Comprehensive Error	%R.O.	±0.3
Recommended excitation voltage	VDC	5-12 /15(max)
Input impedance	Ω	380±10
Output impedance	Ω	350±5
Insulation resistance	MΩ	≥5000 (50VDC)
Safe overload	%R.C.	150
Ultimate overload	%R.C.	300
Material		Alloy Steel
Degree of protection		IP65
The length of the cable	m	3