

DSE Load Cell



- Maximum capacity (E_{max}) (klbs):
20,30,40,50,60,100,150
- Stainless steel available; Hermetically sealed available
- Applications: Truck/rail scales;
Silo/hopper/tank weighing; Fork-lift scales
- Center-loaded double-ended shear beam design;
Free of horizontal movement; Insensitive to side load;
Electroless nickel plated alloy tool steel.

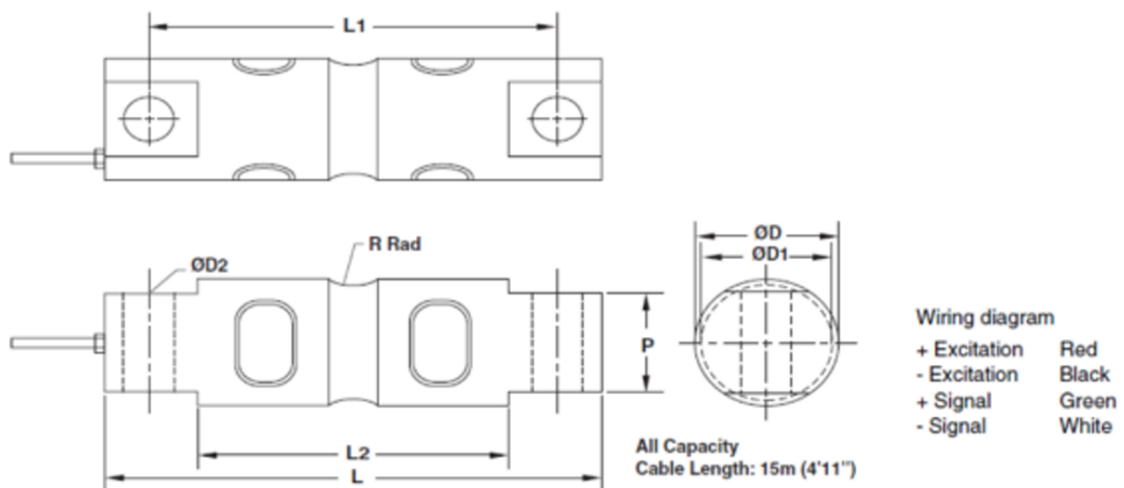
Specifications

Rated capacity-R.C. (E _{max})	klb	20,30,40,50,60,100,150
Rated output-R.O.	mV/V	3 ± 0.0075
Zero Balance	%R.O.	3 ≤ ± 0.02
Non-linearity	%R.O.	± 0.025
Hysteresis	% R.O.	± 0.025
Creep after 30 minutes	% R.O.	± 0.03
Temperature effect on min. dead load output	% R.O. /10°C	± 0.02
Temperature effect on sensitivity	% R.O. /10°C	± 0.02
Compensated temperature range	°C	-10...+40
Operating temperature range	°C	-40...+80
Excitation voltage	VDC	5...15
Input impedance	Ω	760±10
Output impedance	Ω	700±5
Insulation resistance	MΩ	≥5000 (50VDC)
Safe overload	% E _{max}	150
Ultimate overload	% E _{max}	300
Material		Nickel plated alloy Steel
Degree of protection		IP66
Cable length	m	8m/ 13m

Description

- In most cases, the double-ended fixation method provides good restraint for possible displacement of the tank and eliminates the dependence on the control tie rod.
- Shear beam design provides excellent measurement performance for high capacity loads.
- The output signal of the sensor has been standardized and compensated before the product leaves the factory, so as to facilitate the combined application of multiple sensors.
- Alloy steel material, the protection level can reach IP66, and they have good working performance even in humid environments.
- It is ideal for truck scale, rail scales, container weighing and batching systems.

Dimension (mm)



CAPACITY		L	L1	L2	D	D1	D2	P	R
5K/10Klb	mm	206.3	174.8	133.1	43.2	37.7	16.8	28.5	12.7
	(inch)	8.12	6.88	5.24	1.70	1.48	0.66	1.12	0.50
20Klb	mm	206.3	174.8	133.1	49.5	37.9	16.8	28.5	12.7
	(inch)	8.12	6.88	5.24	1.95	1.49	0.66	1.12	0.50
30K/40K/50K/60Klb	mm	260.4	215.9	164.8	76.2	69.4	26.9	60.2	25.4
	(inch)	10.25	8.50	6.49	3.20	2.73	1.06	2.37	1.00
100Klb	mm	285.8	241.3	190.2	88.9	82.3	26.9	63.5	25.4
	(inch)	11.25	9.50	7.49	3.5	3.24	1.06	2.50	1.00
150Klb	mm	285.8	241.3	190.2	99.1	92.5	26.9	71.1	38.1
	(inch)	11.25	9.50	7.49	3.90	3.64	1.06	2.80	1.50