

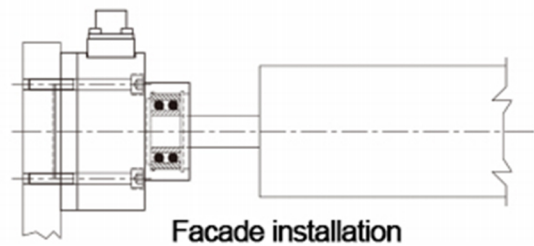
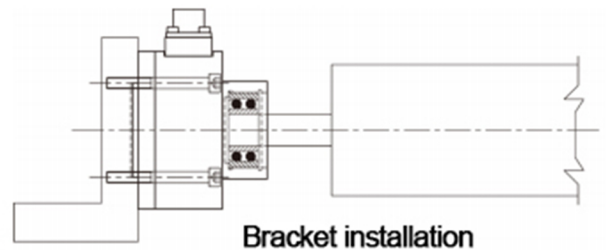
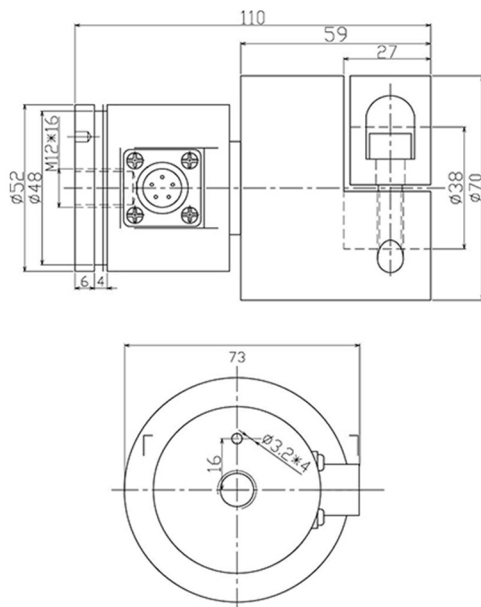
HLT

Tension Sensor

- Maximum capacity (E_{max})(kg):
10, 25, 50, 100
- Be suitable for measuring the tension.



Dimensions (in mm)



Specifications

Rated Load	kg	10, 25, 50, 100
Rated Output	mV/V	1±0.1%
Zero Balance	%R.O.	±1
Comprehensive Error	%R.O.	±0.3
Recommended excitation voltage	VDC	5-12 /15(max)
Input impedance	Ω	380±10
Output impedance	Ω	350±5
Insulation resistance	MΩ	≥5000 (50VDC)
Safe overload / Ultimate overload	%R.C.	150 / 300
Material		Alloy Steel
Degree of protection		IP65
The length of the cable	m	3