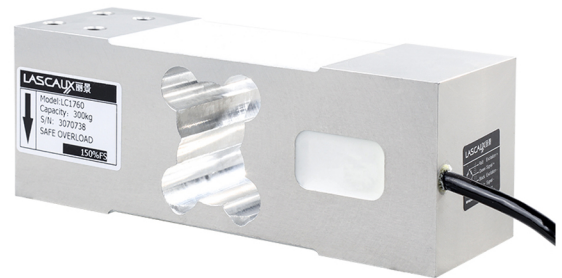


# LC1760 Load Cell

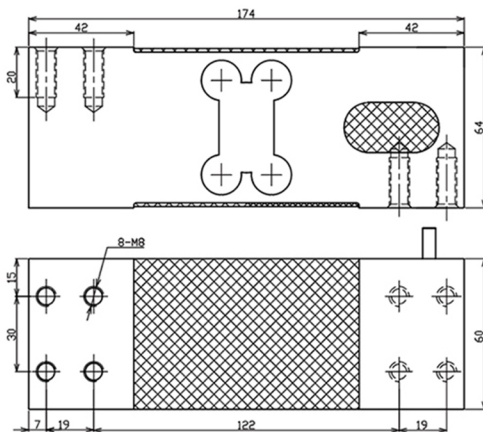
## Single Point Load Cell



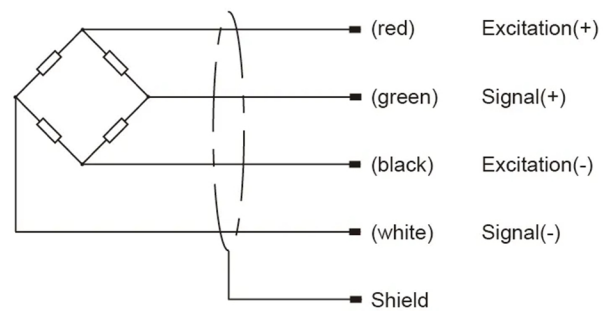
- Maximum capacity (E<sub>max</sub>) (kg):  
50, 100, 200, 300, 500, 750

- Be suitable for the fields of Electronic Scales, Counting Scales, Packaging Scales, Price-computing instrument, Industries of Foods, Pharmaceuticals, which has huge important on weighing and control.

### Dimensions(mm)



### Wiring code



### Specifications

Rated Load	kg	50, 100, 200, 300, 500, 750
Rated Output	mV/V	2.0±0.2
Zero Balance	%R.O.	±2
Comprehensive Error	%R.O.	±0.02
Recommend edexcitation voltage	VDC	5-12 /15(max)
Input impedance	Ω	410±10
Output impedance	Ω	350±5
Insulation resistance	MΩ	≥5000 (50VDC)
Safe overload	%R.C.	150
Ultimate overload	%R.C.	200
Material		Aluminum
Degree of protection		IP65
The length of the cable	m	3
Maximum platform size	mm	600*600
Tightening torque	N·m	50kg-200kg: 25N•m 300kg-750kg:30N•m