

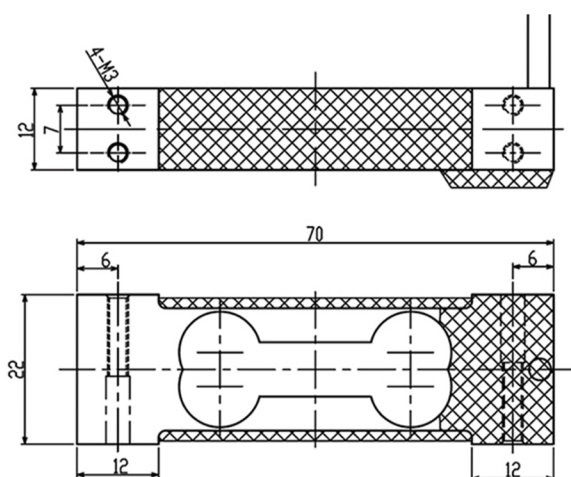
LC7012 Load Cell

Single Point Load Cell

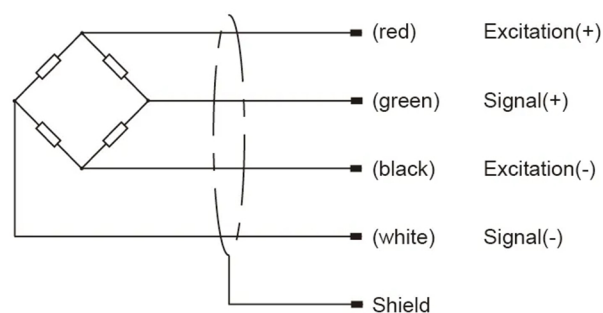
- Maximum capacity (E_{max}) (kg):
0.3, 0.5, 1, 2, 3, 5
- Be suitable for the fields of Electronic Scales, Counting Scales, Packaging Scales, Price-computing instrument, Industries of Foods, Pharmaceuticals, which has huge important on weighing and control.



Dimensions(mm)



Wiring code



Specifications

Rated Load	kg	0.3, 0.5, 1, 2, 3, 5
Rated Output	mV/V	1.0±0.2
Zero Balance	%R.O.	±1
Comprehensive Error	%R.O.	±0.02
Recommend edexcitation voltage	VDC	5-12 /15(max)
Input impedance	Ω	410±10
Output impedance	Ω	350±5
Insulation resistance	MΩ	≥5000 (50VDC)
Safe overload	%R.C.	150
Ultimate overload	%R.C.	200
Material		Aluminum
Degree of protection		IP65
The length of the cable	m	0.4
Maximum platform size	mm	200*200
Tightening torque	N·m	10