

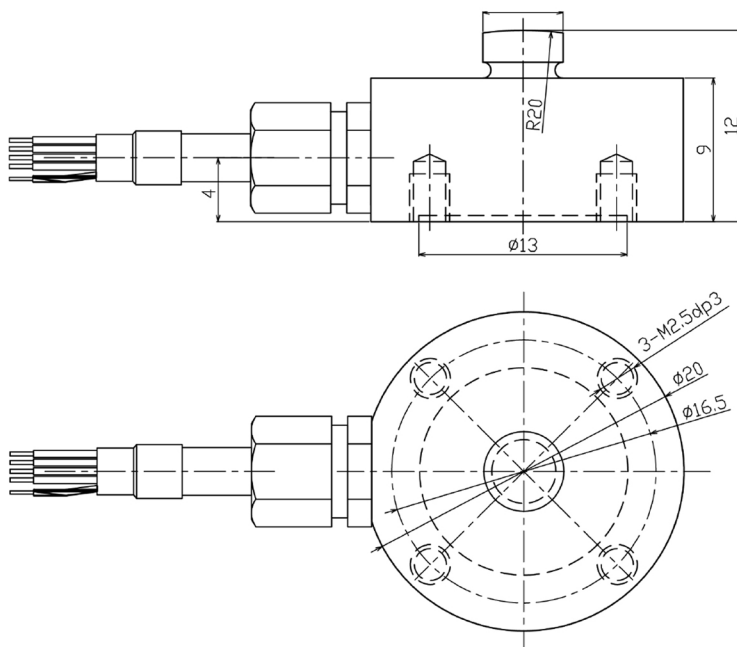
LCD841 Load Cell

Miniature Force Transducer

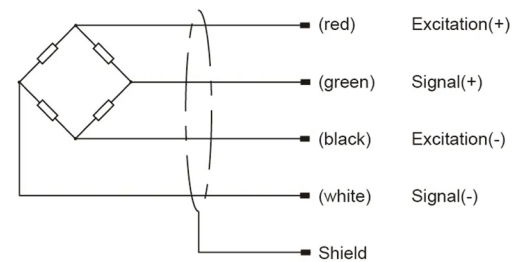
- Maximum capacity (E_{max}) (kg):
5, 10, 20, 50, 100, 200, 500
- Be suitable for a wide range of applications including testing or weighing systems.



Dimensions(mm)



Wiring code



Specifications

Rated Load	kg	5, 10, 20, 50, 100, 200, 500
Rated Output	mV/V	1.0
Zero Balance	%R.O.	±2
Comprehensive Error	%R.O.	±0.3
Creep after 30 minutes	%R.O.	±0.5
Recommend edexcitation voltage	VDC	3-5/5(max)
Input impedance	Ω	350±5
Output impedance	Ω	350±3
Output impedance	MΩ	≥5000 (50VDC)
Safe overload	%R.C.	150
Ultimate overload	%R.C.	200
Material		Stainless Steel
Degree of protection		IP65
The length of the cable	m	2
Wiring code	Ex:	Red: + Black: -
	Sig:	Green: + White: -