

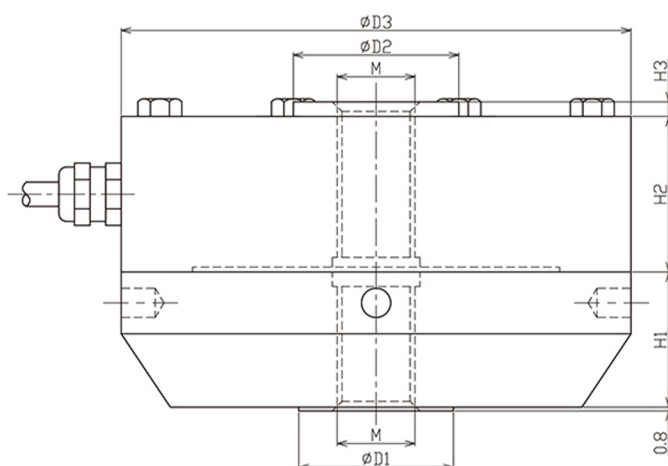
LCF500 Load Cell

Pancake Load Cell

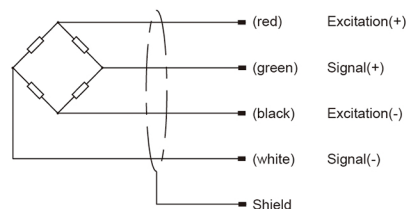
- Maximum capacity (E_{max}) (t):
0.25, 0.5, 1, 2.5, 5, 10, 25, 50
- Be suitable for the fields of Truck scales, Rail scales, Ground scales, Heavy capacity Platform scales, Hopper and Tank Weighing, Testing Machines.



Dimensions(mm)



Wiring code



Rated Load (t)	H1	H2	H3	ØD1	ØD2	ØD3	M
0.25, 0.5, 1, 2.5, 5	28.6	31.7	3.1	32	34	105	M16
10, 25	44.5	41.4	3.1	57	67	154	M33*2
50	50.8	57.2	6.3	76	96	203	M42*2

Specifications

Rated Load	t	0.25, 0.5, 1, 2.5, 5, 10, 25, 50
Rated Output	mV/V	2.0(0.25t-1t); 3.0(2.5t-50t)
Zero Balance	%R.O.	±1
Comprehensive Error	%R.O.	±0.03
Creep after 30 minutes	%R.O.	±0.03
Recommended excitation voltage	VDC	5-12/15(max)
Input impedance	Ω	770±10
Output impedance	Ω	700±5
Insulation resistance	MΩ	≥5000 (50VDC)
Safe overload	%R.C.	150
Ultimate overload	%R.C.	300
Material		Alloy Steel(0.25-1t) or Stainless Steel(2.5-50t)
Degree of protection		IP66