

# LCF510 Load Cell

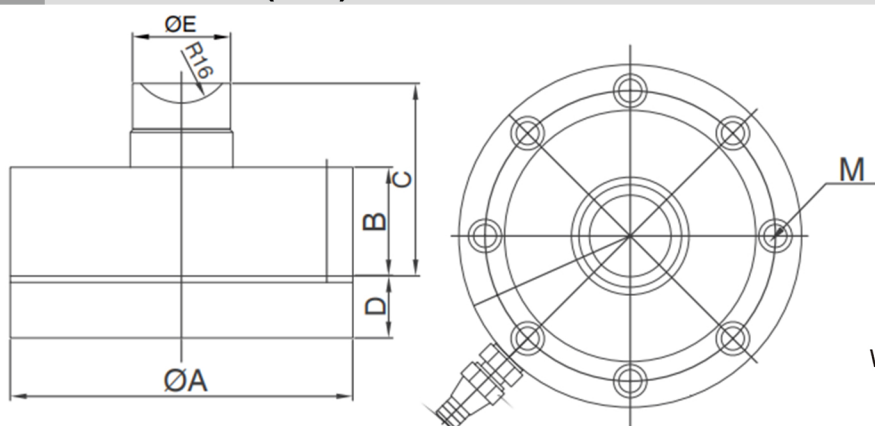
## Pancake Load Cell

- Maximum capacity (E<sub>max</sub>) (t):  
5, 10, 20, 50

- Be suitable for the fields of Truck scales, Rail scales, Ground scales, Heavy capacity Platform scales, hopper and tank weighing, Testing machines.

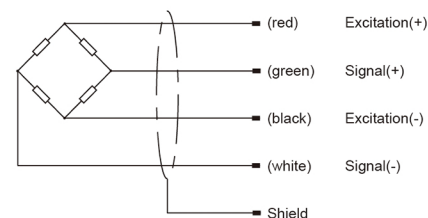


### Dimensions(mm)



额定载荷 (t) Rated Load	ØA	B	C	D	ØE	R	M
5	105	34	60	19	30.1	16	M6
10	121	41	53.8	24	39	22	M8
20	121	47	53.2	19	40.6	22.2	M8
50	141	51	57.62	95	1	22.6M	10

### Wiring code



### Specifications

Rated Load	t	5, 10, 20, 50
Rated Output	mV/V	2±0.005
Zero Balance	%R.O.	±1
Comprehensive Error	%R.O.	±0.03
Creep after 30 minutes	%R.O.	±0.03
Recommended excitation voltage	VDC	5-12/15(max)
Input impedance	Ω	770±10
Output impedance	Ω	700±5
Insulation resistance	MΩ	≥5000 (50VDC)
Safe overload	%R.C.	150
Ultimate overload	%R.C.	300
Material		Alloy Steel
Degree of protection		IP66