

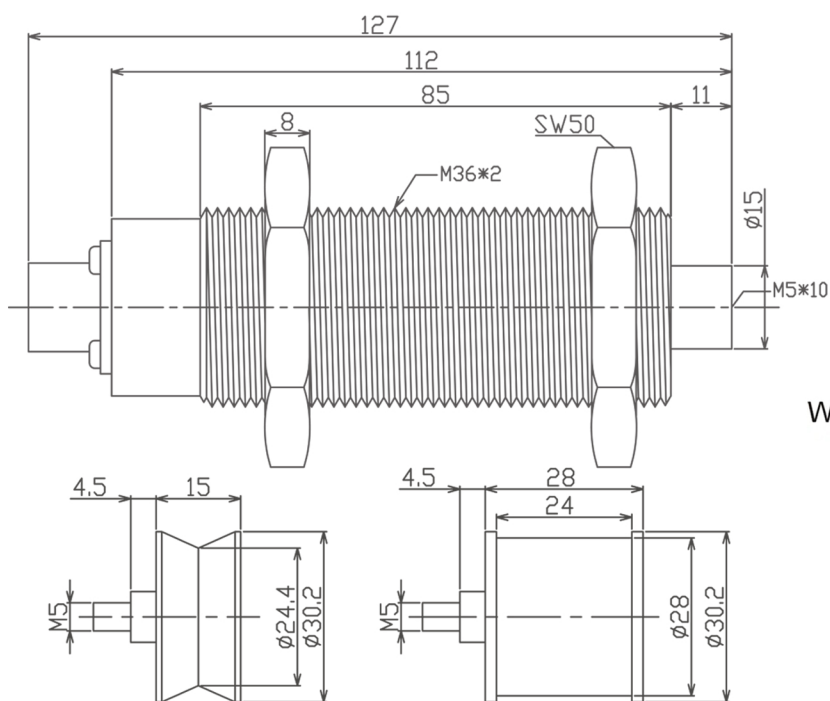
LT Load Cell

Tension Sensor

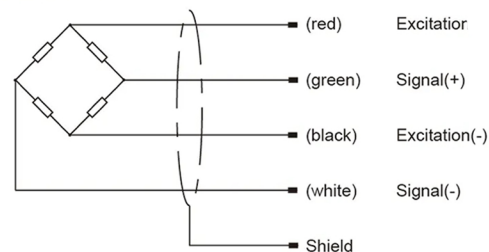
- Maximum capacity (E_{max}) (kg):
0.2, 0.5, 1, 2
- Be suitable for measuring the tension of uncoiling, coiling and moving, the object is including electric wires, metal wire, glass fiber, nylon, rubber and composite materials



Dimensions(mm)



Wiring code



Specifications

Rated Load	kg	0.2, 0.5, 1, 2
Rated Output	mV/V	1
Zero Balance	%R.O.	±1
Comprehensive Error	%R.O.	±0.3
Recommend ed excitation voltage	VDC	5-12 / 15(max)
Input / Output impedance	Ω	380±10 / 350±5
Output impedance	MΩ	≥5000 (50VDC)
Safe / Ultimate overload	%R.C.	150 / 300
Material		Stainless Steel
Degree of protection		IP65
The length of the cable	m	3