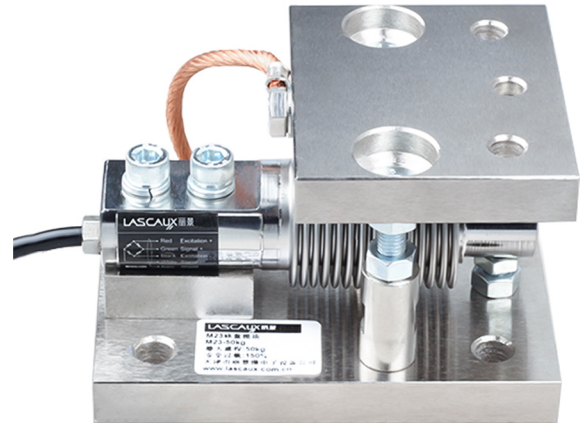


# M23

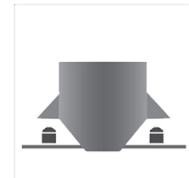
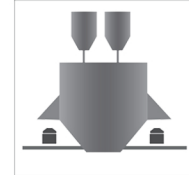
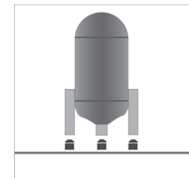
## Weighing Module

- Maximum Capacity (E<sub>max</sub>) (kg):  
10,20,50,100,200,300,500
- Suitable for tanks, silo, and other weighing control.



### Features

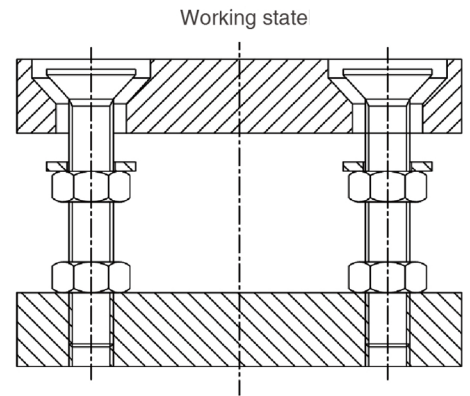
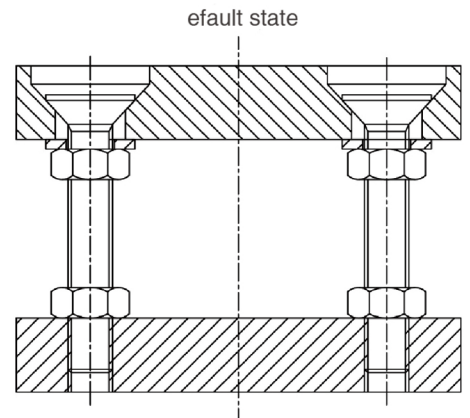
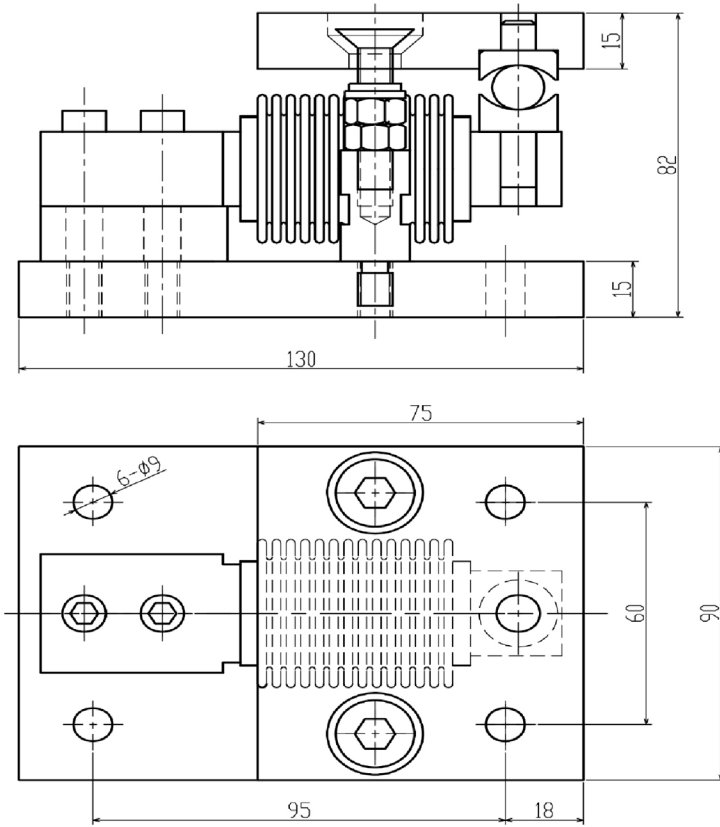
- Unique structure, simplifies load cell installation on tanks, silo, and other weighing vessels
- Stainless steel material welded sealing load cell can be used
- High accuracy load cell, High comprehensive precision
- Remove the weighing error thermal expansion, contraction
- Support the bolt, prevent the equipment to avoid upsetting
- Reducing load cell damage and plant down-time
- Easily and quickly install
- Reducing load cell damage and plant down-time
- Suitable for tanks, silo, and others weighing control



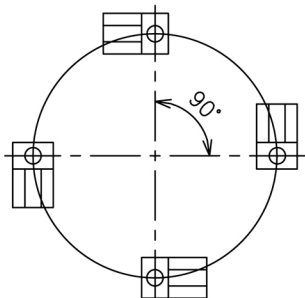
### Specifications

Load Cell		HBB
Rated Load	kg	10,20,50,100,200,300,500
Rated Output	mV/V	2±0.005
Safe overload	%R.C.	150
Ultimate overload	%R.C.	300
Degree of protection		IP68
Wiring code	Ex:	Red: +    Black: -
	Sig:	Green: +    White: -

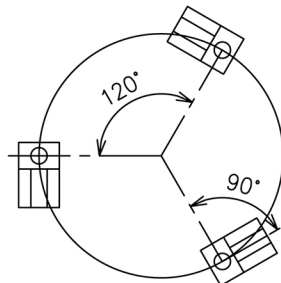
## Dimensions (in mm)



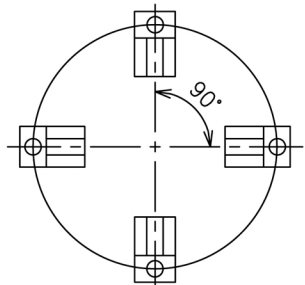
## Installation



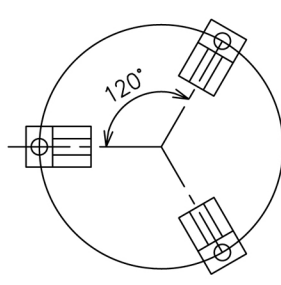
Tangential layout



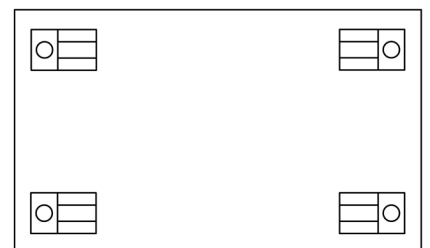
Tangential layout



Radial Layout



Radial Layout



Rectangular layout