

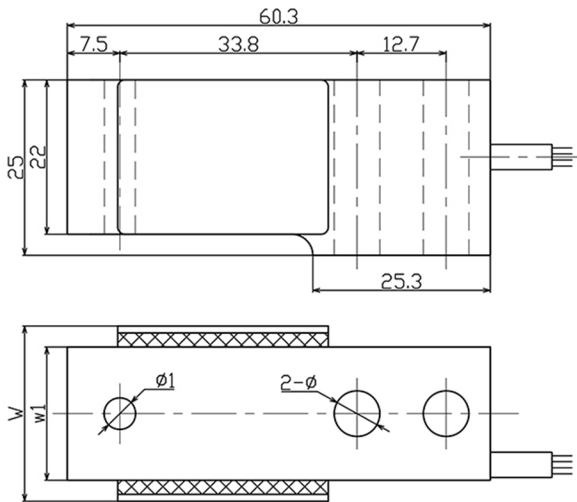
MBB Load Cell

Single Ended Beam Load Cell

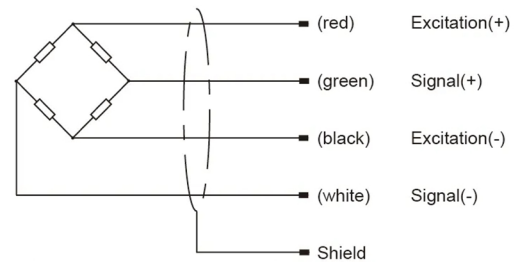


- Maximum capacity (E_{max}): (kg):
20, 50, 100
- Be suitable for the fields of Low profile platform scales, packing machine, quantitative feeding machine, filling machine, belt scales, hopper scales, and weighing control of ingredients in chemical, food and pharmaceuticals industry

Dimensions(mm)



Wiring code



量程 Capacity (kg)	Ø	Ø1	W1	W2
20,50	4.5	4.5	12.7	18.7
100	6.5	4.5	19	25

Specifications

Rated Load	kg	20, 50, 100
Rated Output	mV/V	3
Zero Balance	%R.O.	±1
Comprehensive Error	%R.O.	±0.03
Recommend ed excitation voltage	VDC	5-12 / 15(max)
Input impedance	Ω	380±10
Output impedance	Ω	350±5
Output impedance	MΩ	≥5000 (50VDC)
Safe overload	%R.C.	150
Ultimate overload	%R.C.	300
Material		Alloy Steel
Degree of protection		IP66
The length of the cable	m	2