

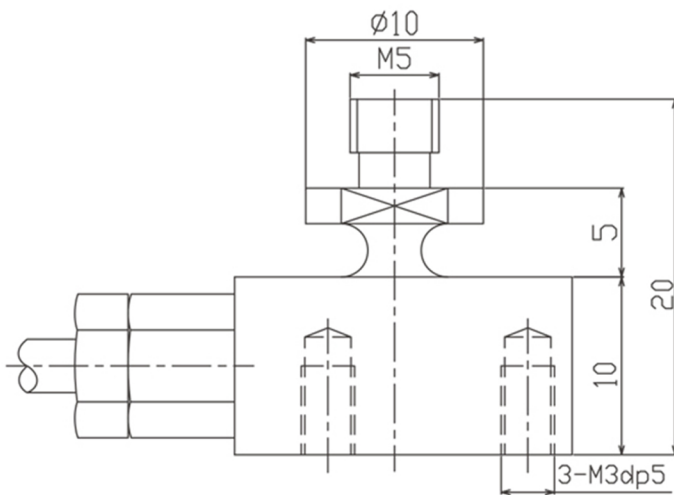
MDT Load Cell

Miniature Force Transducer

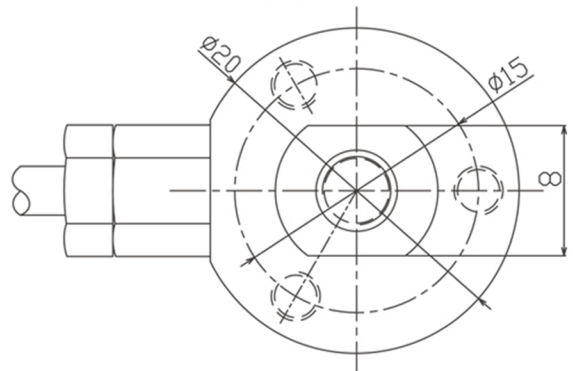
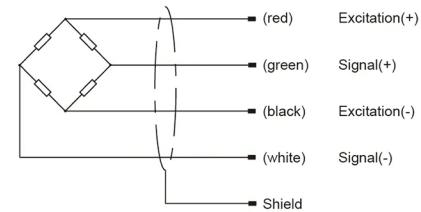
- Maximum capacity (E_{max}) (kg):
5, 10, 20, 50
- Be suitable for a wide range of applications including testing or weighing systems, and it can be put into the device, in order to monitor the force.



Dimensions(mm)



Wiring code



Specifications

Rated Load	kg	5, 10, 20, 50
Rated Output	mV/V	1.6-1.8
Zero Balance	%R.O.	±2
Comprehensive Error	%R.O.	±0.5
Creep after 30 minutes	%R.O.	±0.5
Recommend ed excitation voltage	VDC	5-12 /15(max)
Input impedance	Ω	350±5
Output impedance	Ω	350±3
Output impedance	MΩ	≥5000 (50VDC)
Safe overload	%R.C.	150
Ultimate overload	%R.C.	200
Material		Stainless Steel
Degree of protection		IP66
Wiring code	Ex:	Red: + Black: -
	Sig:	Green: + White: -