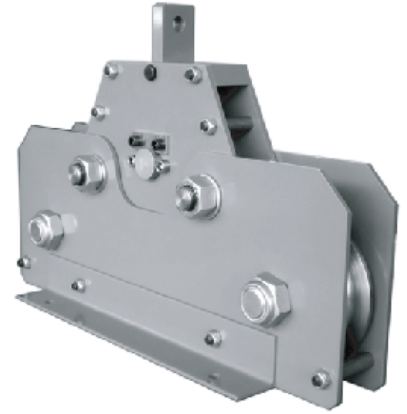


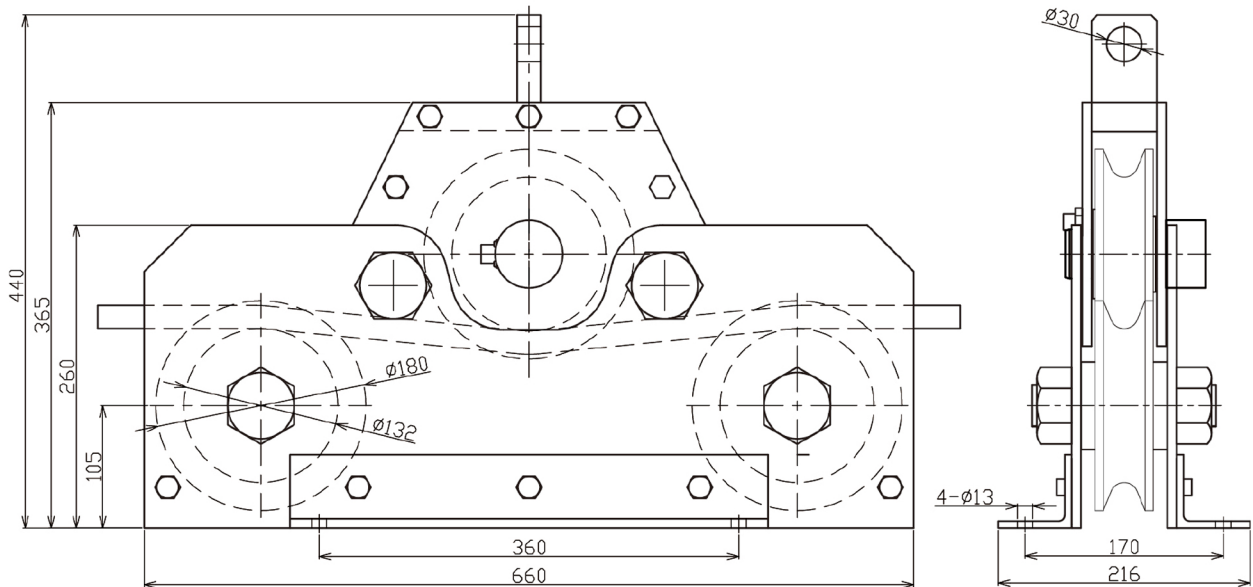
RL Load Cell

Tension Sensor

- Maximum capacity (E_{max}) (t):
5, 10, 20, 30
- RL is 3 wheel structure, can be used for 15-115 mm diameter ropes, Maximum tension is 500t. It is easy to operate through the removable center wheel. Be Suitable for detecting dynamic and static cable tension without changing the stress structure.



Dimensions(mm)



Specifications

Rated Load	t	5, 10, 20, 30
Rated Output	mV/V	1.2-1.5
Nonlinearity	%R.O.	±0.5
Hysteresis	%R.O.	±0.5
Repeatability	%R.O.	±0.5
Zero Balance	%R.O.	±2
Comprehensive Error	%R.O.	±0.3
Recommend ed excitation voltage	VDC	5-12 /15(max)
Input / Output impedance	Ω	770±10 / 700±5
Output impedance	MΩ	≥5000 (50VDC)
Safe / Ultimate overload	%R.C.	150 / 300
Material		Steel
Degree of protection		IP65
The length of the cable	m	10