

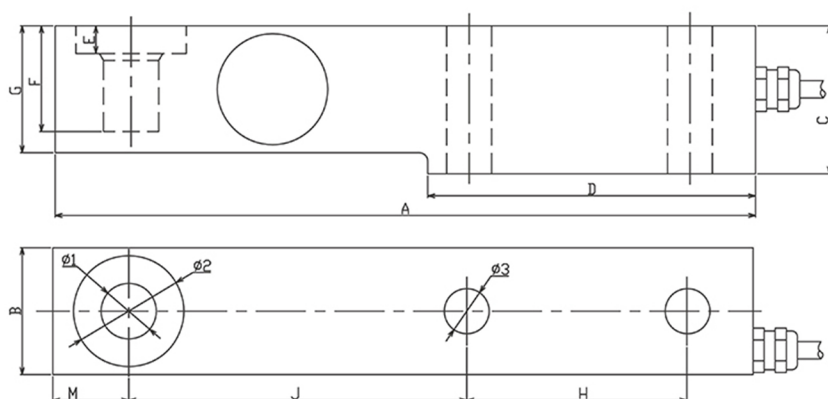
SB Load Cell

Shear Beam Load Cell

- Maximum capacity (E_{max}) (t):
0.5, 1, 2, 3, 5, 7.5
- Be suitable for the fields of Ground scales, platform scales, belt scales, Industries of Foods, Pharmaceuticals, which has huge important on weighing and control.

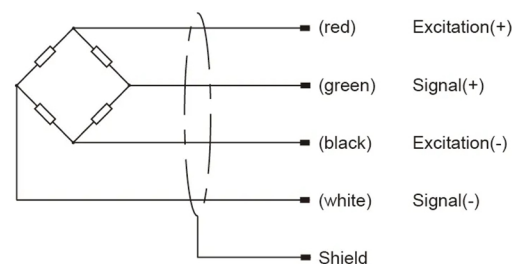


Dimensions(mm)



CAPACITY 载荷 (t)	A	B/G	C	D	E	F	H	J	M	Φ1	Φ2	Φ3
0.5, 1, 2	203	37	43	95	8	30.5	64	98	22	16	32	13
3	203	37	43	95	8	30.5	64	98	22	16	32	15
5, 7.5	235	48	52	110	12	30	66	124	22	22	38	20

Wiring code



Specifications

Rated Load	t	0.5, 1, 2, 3, 5, 7.5
Rated Output	mV/V	2±0.005
Zero Balance	%R.O.	±1
Comprehensive Error	%R.O.	±0.02
Recommend edexcitation voltage	VDC	5-12 /15(max)
Input impedance	Ω	350±10
Output impedance	Ω	350±5
Insulation resistance	MΩ	≥5000 (50VDC)
Safe overload	%R.C.	150
Ultimate overload	%R.C.	300
Material		Alloy Steel
Degree of protection		IP67
The length of the cable	m	0.5t-3t:4m 5t:5m 7.5t:6m
Tightening torque	N·m	0.5t-3t: 4N·m 3t: 160N·m 5t: 225N·m 7.5t: 1255N·m