

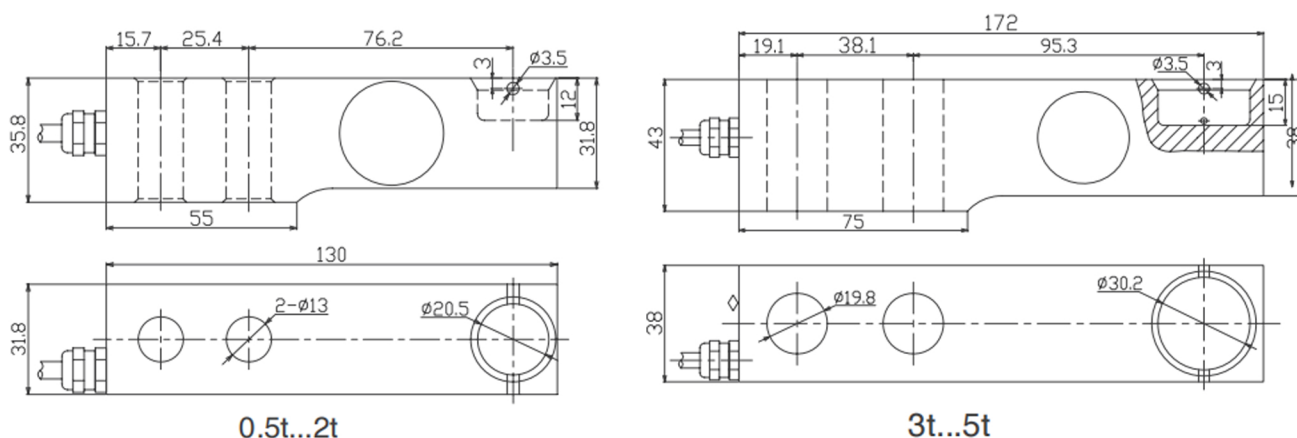
# SBC Load Cell

## Single Ended Beam Load Cell

- Maximum capacity (E<sub>max</sub>) (t):  
0.5, 1, 2, 3, 5
- Be suitable for the fields of Hopper and tank weighing, belt scales, and other Chemical, Industries of Foods, Pharmaceuticals, which has huge important on weighing and control.



### Dimensions(mm)



### Specifications

Rated Load	t	0.5, 1, 2, 3, 5
Rated Output	mV/V	2±0.005
Zero Balance	%R.O.	±1
Comprehensive Error	%R.O.	±0.02
Creep after 30 minutes	%R.O.	±0.02
Recommended excitation voltage	VDC	5-12 /15(max)
Input impedance	Ω	380±10
Output impedance	Ω	350±5
Insulation resistance	MΩ	≥5000 (50VDC)
Safe overload	%R.C.	150
Ultimate overload	%R.C.	300
Material		Alloy Steel or Stainless Steel
Degree of protection		IP67 / IP68
The length of the cable	m	0.5t-2t: 3m    3t-5t: 5m
Tightening torque	N•m	0.5t-2t: 98N•m    3t-5t: 275N•m