

SK Load Cell

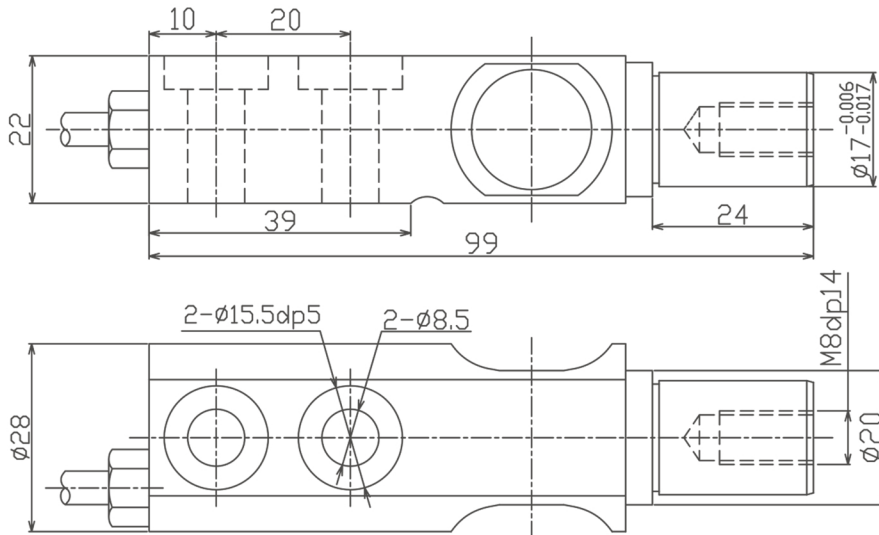
Tension Sensor

- Maximum capacity (E_{max}) (kg):
200, 300, 500
- Be suitable for on-line tension measurement such as metal wire, cable and similar products; be widely used for the curly control equipment and production

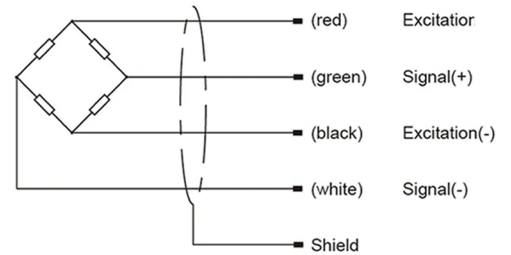
line of printing, composite, coating, cutting, paper-making, rubber, textile, electric wires, cable and film.



Dimensions(mm)



Wiring code



Specifications

Rated Load	kg	200, 300, 500
Rated Output	mV/V	1.5
Zero Balance	%R.O.	±1
Comprehensive Error	%R.O.	±0.3
Recommend ed excitation voltage	VDC	5-12 /15(max)
Input impedance	Ω	380±10
Output impedance	Ω	350±5
Output impedance	MΩ	≥5000 (50VDC)
Safe / Ultimate overload	%R.C.	150 / 300
Material		Alloy Steel
Degree of protection		IP67
The length of the cable	m	3