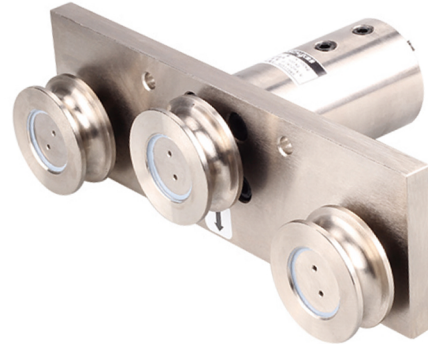


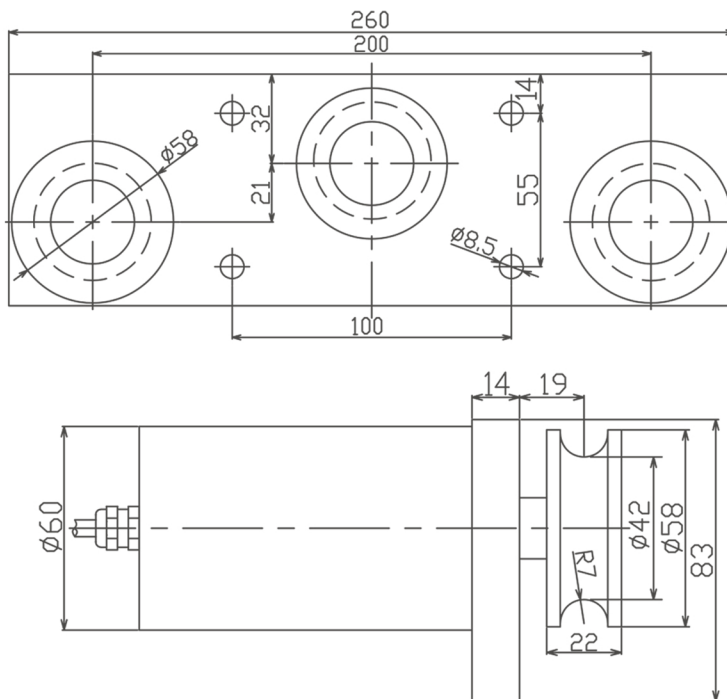
TK Load Cell

Tension Sensor

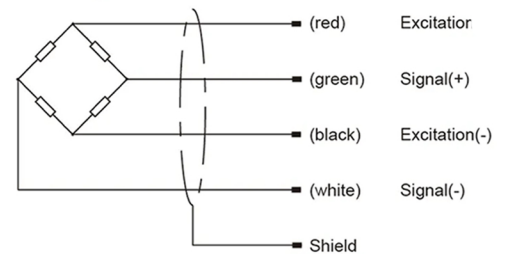
- Maximum capacity (E_{max}) (kg):
100, 200, 300, 500, 1000
- Be suitable for on-line tension measurement, such as rope, fiber, electric wires, metal wire and other similar products.



Dimensions(mm)



Wiring code



Specifications

Rated Load	kg	100, 200, 300, 500, 1000
Rated Output	mV/V	1.5
Zero Balance	%R.O.	±1
Comprehensive Error	%R.O.	±0.05
Recommend ed excitation voltage	VDC	5-12 /15(max)
Input impedance	Ω	380±10
Output impedance	Ω	350±5
Output impedance	MΩ	≥5000 (50VDC)
Safe / Ultimate overload	%R.C.	150 / 300
Material		Alloy Steel
Degree of protection		IP65
The length of the cable	m	3