

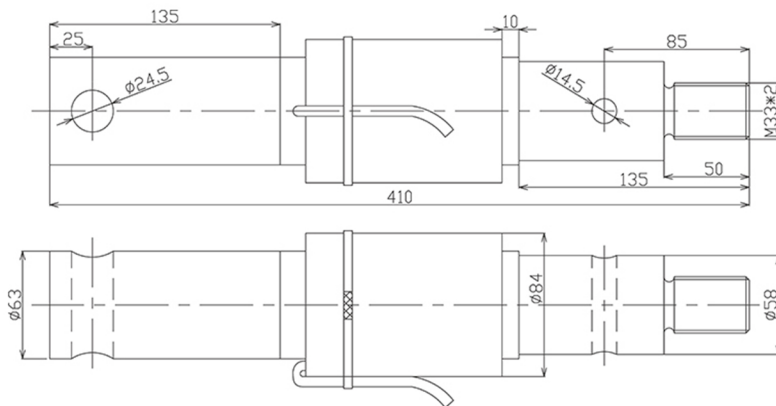
WB Load Cell

Single Ended Beam Load Cell

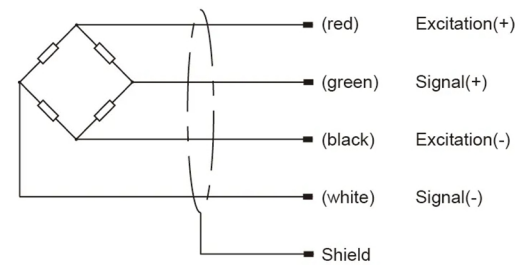
- Maximum capacity (E_{max}): 5t
- Be mainly suitable for Total Mixed Ration feed mixer, and weighing control of ingredients in chemical, food and pharmaceuticals industry. The difference from SSB is that SSB is used for stationary feed machines, and WB is used for trailed feed machines



Dimensions(mm)



Wiring code



Specifications

Rated Load	t	5
Rated Output	mV/V	0.6
Zero Balance	%R.O.	±1
Comprehensive Error	%R.O.	±0.1
Recommend edexcitation voltage	VDC	5-12 /15(max)
Input impedance	Ω	380±10
Output impedance	Ω	350±5
Insulation resistance	MΩ	≥5000 (50VDC)
Safe overload	%R.C.	150
Ultimate overload	%R.C.	300
Material		Alloy Steel
Degree of protection		IP67
The length of the cable	m	5