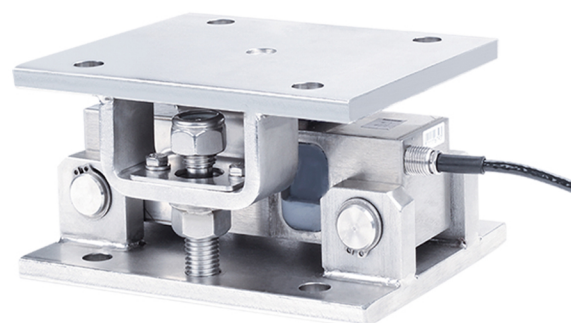


WM603

Weighing Module

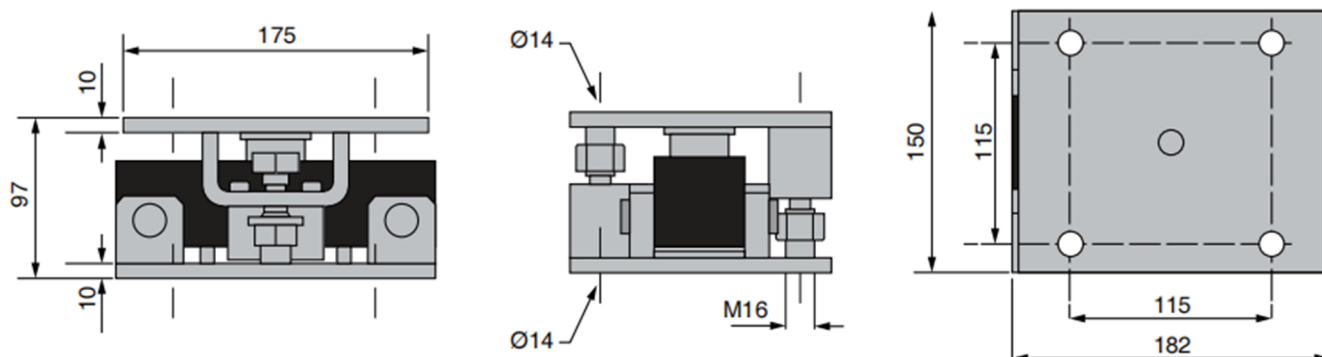
- Maximum capacity (E_{max}) (t):
10, 20, 30
- Be suitable for tanks, silo, and others weighing control.



Features

- Stainless steel or alloy steel material
- Anti-overturning protection structure
- Easy to change and install
- Self-centering connection segment between
- Be suitable for weighing hoppers, tanks

Dimensions(mm)



Specifications

Load Cell		DSB
Rated Load	t	10, 20, 30
Rated Output	mV/V	2±0.0050
Safe overload	%R.C.	150
Ultimate overload	%R.C.	300
Protection class		IP68